



## AIR VELOCITY TRANSMITTERS EE65 AND EE66 SERIES

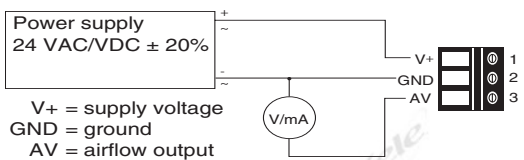
### DESCRIPTION

The E+E EE65 and EE66 Series airflow velocity transmitters are ideal for accurate ventilation control applications. They incorporate innovative hot film anemometer technology which guarantees good accuracy at low airflow velocity and is superior to conventional anemometers with commercial temperature sensors or NTC bead thermistors. The hot film sensor is also less sensitive to dust and dirt, for high reliability and low maintenance costs. The EE65 and EE66 series are available with current or voltage output with the measuring range and the response time jumper selectable in the field. The EE66 is specifically designed for very low airflow velocities and is accurate down to approximately 30 fpm (0.15 m/s).

### FEATURES

- Adjustable insertion length for precise measurement
- Jumper selectable ranges and outputs for application flexibility
- Jumper selectable time constant for signal stability
- Dust and splash-proof NEMA 4 (IP65) enclosure allows installation in potentially wet areas
- Very low flow velocity EE66 model for clean rooms and other low velocity applications

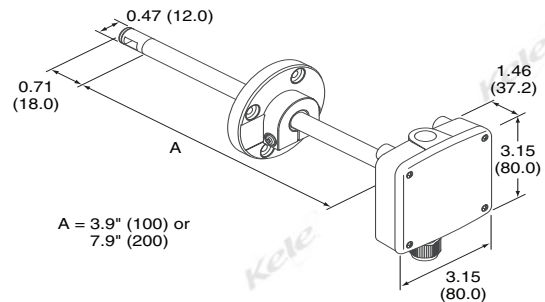
### WIRING



EE65-01-VB5



### DIMENSIONS



### SPECIFICATIONS

<b>Supply Voltage</b>	24 VAC ±20%, 50/60 Hz, 24 VDC ±20%	<b>Probe=</b>	-13°F to 122°F (-25°C to 50°C)
<b>Supply Current</b>	150 mA @ 24 VAC, 90 mA @ 24 VDC	<b>Electronics=</b>	14°F to 122°F (-10°C to 50°C)
<b>Output Signal</b>	0-10 VDC or 4-20 mA; jumper selectable	<b>Velocity Range</b>	
<b>Loads</b>	0-10 VDC output, 10kΩ minimum resistance; 4-20 mA output, 450Ω maximum resistance	<b>EE65</b>	0-2000 fpm (0-10 m/s), 0-3000 fpm (0-15 m/s) or 0-4000 fpm (0-20 m/s)
<b>Wiring</b>	Terminal strip with 1/2" NPT conduit connector or M16x1.5 cable gland for 0.18" to 0.39" (0.45 to 10.0 cm) cable diameter	<b>EE66</b>	0-200 fpm (0-1.0 m/s), 0-300 fpm (0-1.5 m/s) or 0-400 fpm (0-2.0 m/s)
<b>Accuracy</b>		<b>Enclosure Rating</b>	NEMA 4 (IP 65)
<b>EE65</b>	±40 fpm (0.2 m/s), plus 3% of measured value, at 68°F (20°C) and 45% RH	<b>Dimensions</b>	
<b>EE66</b>	±7.9 fpm (0.04 m/s), plus 2% of measured value, at 68°F (20°C) and 45% RH	<b>-VB3</b>	3.2"H x 3.2"W x 5.4"D (8.0 x 8.0 x 13.7 cm)
<b>Response Time</b>	0.7 or 4 seconds, jumper selectable	<b>-VB5</b>	3.2"H x 3.2"W x 9.3"D (8.0 x 8.0 x 23.7 cm)
<b>Operating Temperature</b>		<b>Weight</b>	
		<b>-VB3</b>	0.25 lb (0.11 kg)
		<b>-VB5</b>	0.30 lb (0.14 kg)
		<b>Approvals</b>	CE, RoHS
		<b>Warranty</b>	1 year

### ORDERING INFORMATION

MODEL	DESCRIPTION
EE65-01-VB3	Air velocity transmitter, probe length 3.9" (100 mm)
EE65-01-VB5	Air velocity transmitter, probe length 7.9" (200 mm)
EE66-01-VB3	Low flow transmitter, probe length 3.9" (100 mm)
EE66-01-VB5	Low flow transmitter, probe length 7.9" (200 mm)

	RELATED PRODUCTS	PAGE
691-K0A	Control transformer, 120:24 VAC, 40 VA, Class 2	979
DCP-1.5-W	Power supply, 24 VAC IN to 24 VDC OUT	995